

**DESCRIPTION**

The IP Intercom Exchange uses packet audio technology to permit connection of up to sixteen N-8000 Series stations. Hands-free conversation is possible between stations.

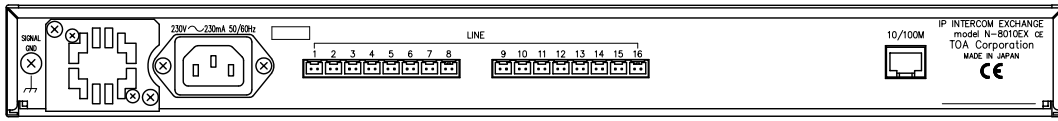
Moreover, the exchange is equipped with a networking interface, allowing up to 192 exchanges to be connected over a network using additional IP intercom exchanges. The Exchange can be mounted in an EIA standard rack (1-unit size) or to a wall using the supplied bracket.

**SPECIFICATIONS**

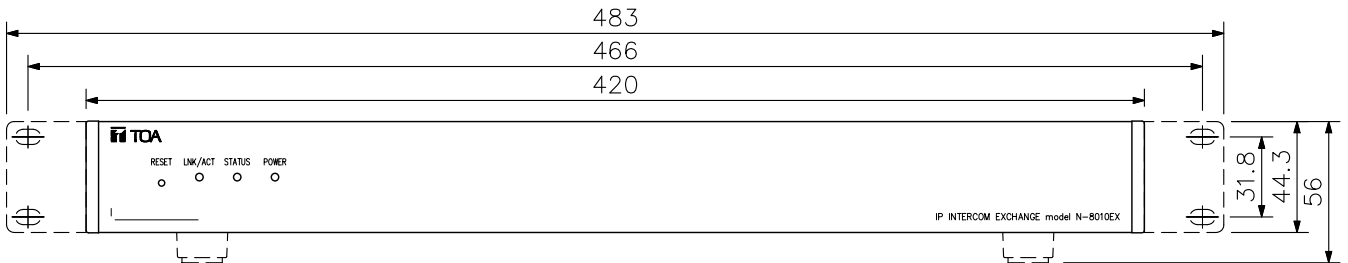
\* 0 dB = 1 V

Power Source	230 V AC, 50/60 Hz
Power Consumption	50 W (at rated), 75 W (max.)
Type of Speech Path	Space sharing/Time Space sharing
Speech Link	Internal: 1/External: 2 (both Half duplex/Full duplex use)
Hands-free Speech Method	Simultaneous conversation by way of echo canceller or Half-duplex conversation by way of voice switch
Line Capacity	Up to 16 stations
Wiring Method	Non-polar one pair stranded wire system
Transmission System	2 wire 160 kbps echo canceller transmission system
Signal Level	0 dB* or less
Transmission Range	Max. 1500 m (∅0.65 mm, Loop resistance 170 Ω)
Power Supply to Station	48 V DC, Max. 70 mA
Paging Output	Station paging only
Connecting Terminal	Dedicated connector
Others	Firmware update function, System registration data entry hold facility, Time of day hold facility, Forced air-cooling, Reset switch (front panel)
Network Section	
Network I/F	10BASE-T/100BASE-TX (Automatic-Negotiation)
Network Protocol	TCP/IP, UDP, ARP, ICMP, HTTP, RTP, IGMP
Audio Packet Transmission System	Unicast (simultaneous paging to up to 16 zones) Multicast (simultaneous paging to up to 191 zones)
Connector	RJ45 connector
Voice Sampling Frequency	16 kHz, 8 kHz (controllable on the software)
Quantifying Bit Number	16-bit
Voice Encoding Method	Sub-band ADPCM, Cryptosystem
Voice Packet Loss Recovery	Silence insertion
Audio Delay Time	80 ms, 320 ms (Controllable on the software)
Indication	
Installation Method	Network LNK/ACT indication, Status lamp, Power-on indication lamp
Operating Temperature	Rack, Desk, Surface mount
Operating Humidity	0 °C to +40 °C
Finish	90 %RH or less (no condensation)
Dimensions	Pre-coated steel plate, black, 30 % gloss
Weight	420 (W) x 44.3 (H) x 349 (D) mm
Accessory	4.2 kg
	AC power cord (2 m)···1, CD (for PC setting, maintenance use)···1, Removable terminal plug (2 pins)···20, Plastic foot···4, Screw for fitting plastic foot···4, Rack mounting bracket···2, Screw for rack mounting···4, Wall mounting bracket···2, Screw for mounting bracket···8, Screw for wall mounting ···4

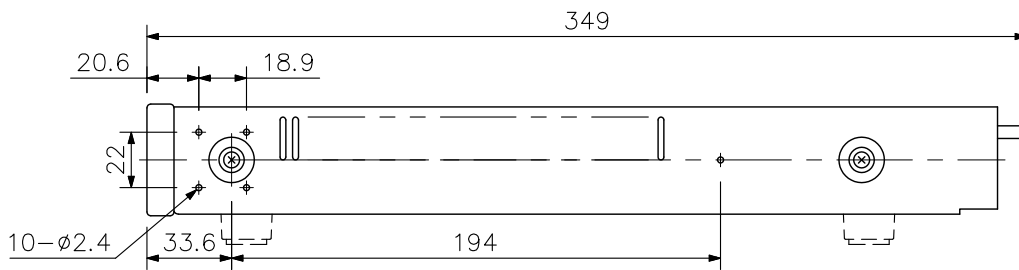
■ APPEARANCE



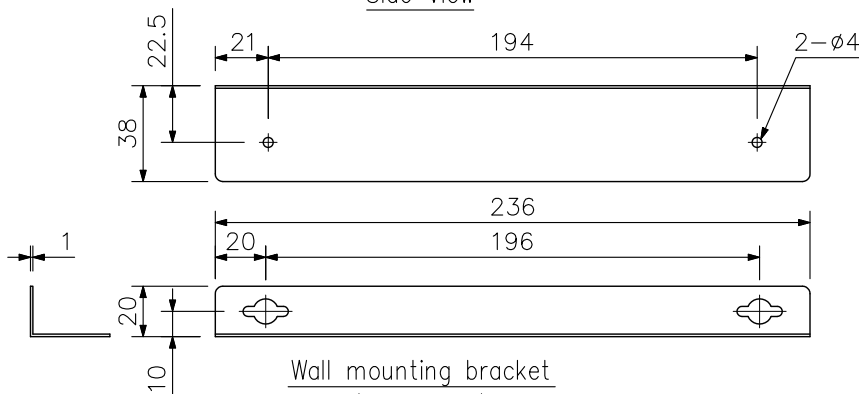
Rear View



Front View

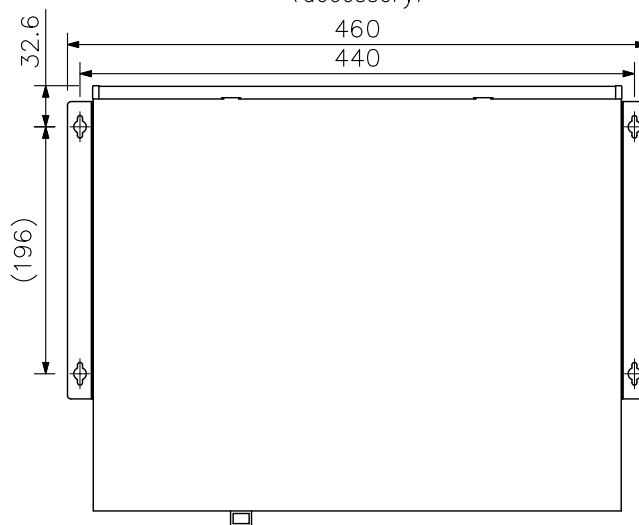


Side View



Wall mounting bracket  
(accessory)

Dimensions of  
wall mounting hole  
(scale :1/1)



Wall mounting installation  
(scale:1/6)

UNIT:mm SCALE:1/3